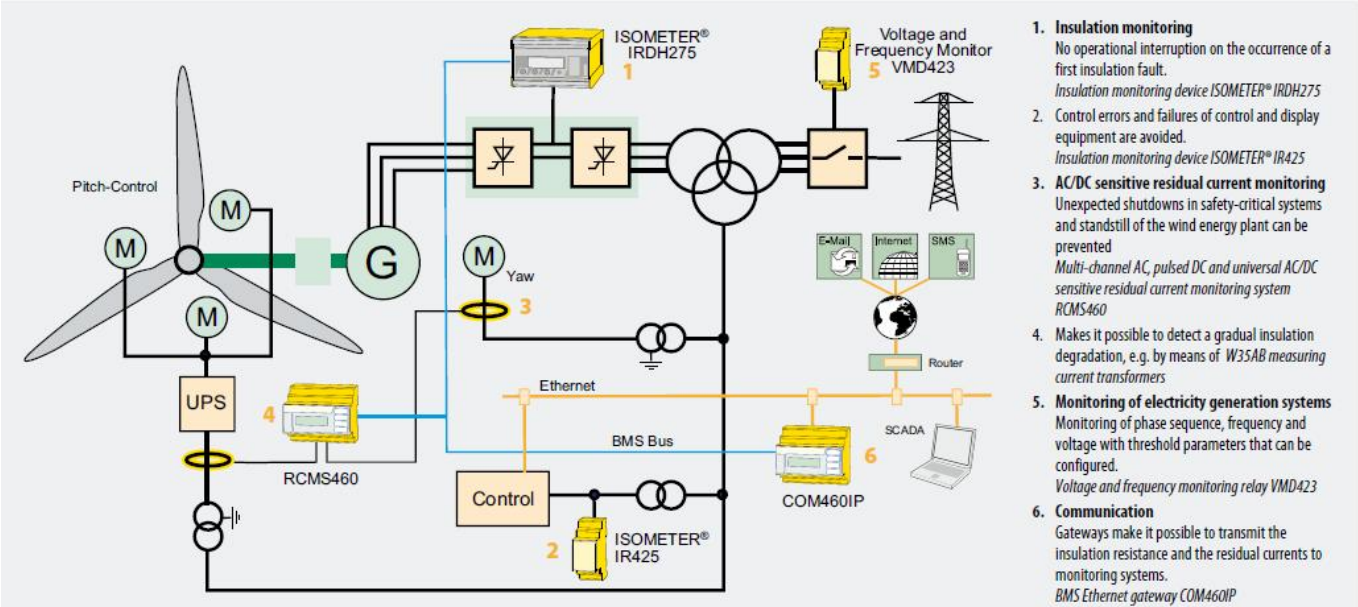




[Bender Irdh275 User Manual](#)



[Bender Irdh275 User Manual](#)

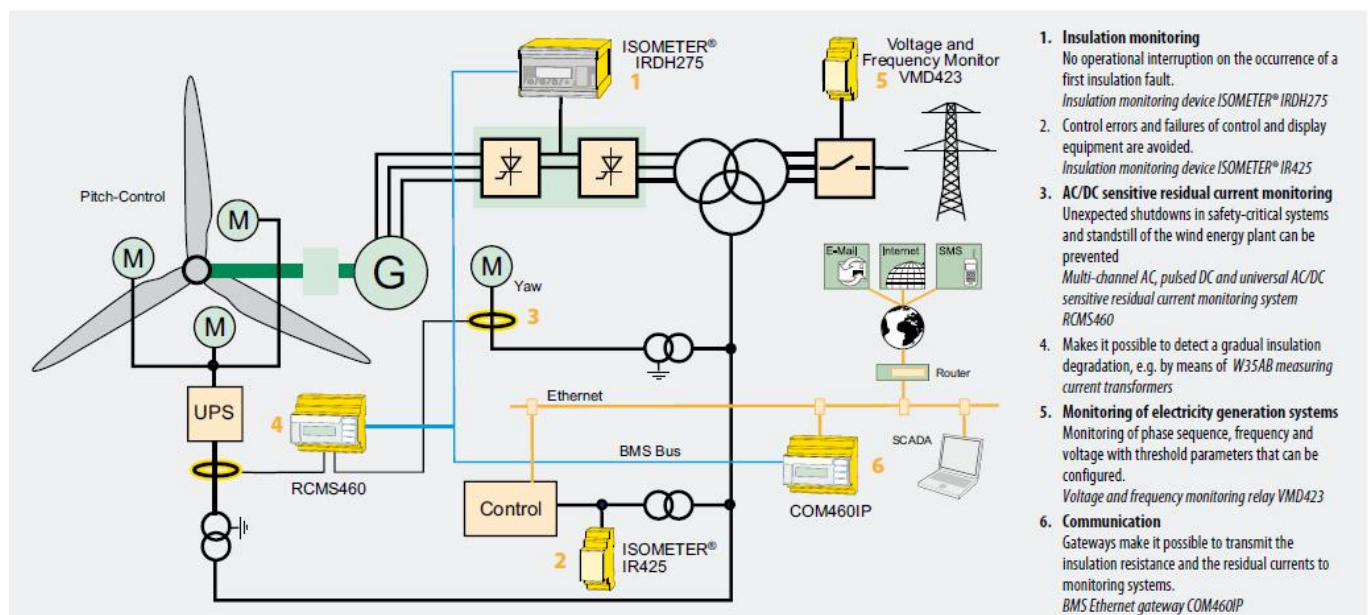


3 4 Synchronization system: the mechanical synchronous institution consists of twisted axis, swinging arm with simple structure, stable and reliable performance and high synchronization precision.. Universal bender manual products are most popular in Australia, United States, and New Zealand.. com, mainly located in Asia The top countries of suppliers are China, India, and Pakistan, from which the percentage of universal bender manual supply is 99%, 1%, and 1% respectively.

The elastic mechanics principle has been adopted to control the deformation of structure parts effectively, so that the satisfactory bending component can be obtained.. com, of which pipe and tube bending machines accounts for 86%, other bending machines accounts for 50%, and testing equipment accounts for 47%.. 3 3 Gauge part: gauge is transmitted by motor, synchronous movement of two screws is driven by sprockets, the gauge size is displayed by the counter, and it can be fine-tuning manually.

[download free Shaman King Psp Games Free Download](#)

About product and suppliers:475 universal bender manual products are offered for sale by suppliers on Alibaba.. A wide variety of universal bender manual options are available to you,There are 1,057 suppliers who sells universal bender manual on Alibaba. [Download Virtual Dj Le Numark Mixtrack Pro](#)



[Archicad 17 Ita Mac Download](#)

[Pac Man 256 Download Mac](#)

[Download Ukulele Jam Real Ukulele Simulator For Mac](#)

[How To Create A Form In Word Version 16.15 For Mac](#)

e828bfe731 [Miroslav Philharmonik 2 Crack](#)

---

e828bfe731

[Extensions That Are Supported By The Program Avchd Converter For Mac](#)